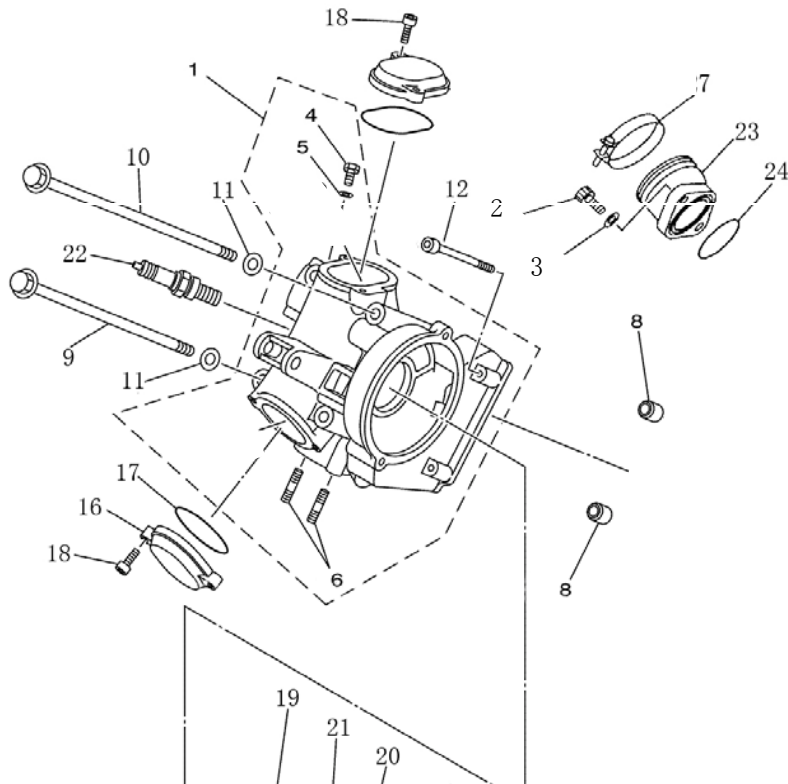


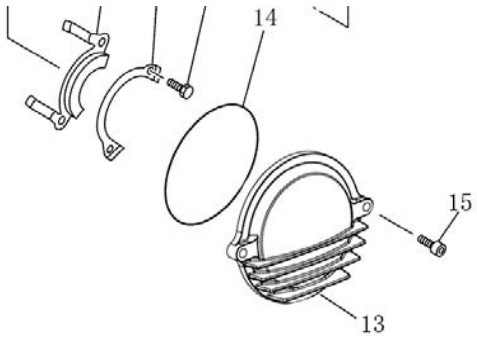
# ATV500 ENGINE PARTS CATALOG

FIG. 101

## 01. CYLINDER HEAD



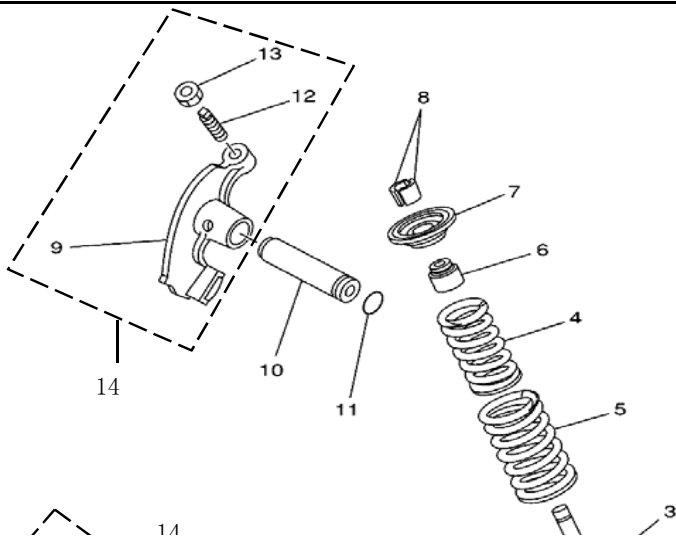
S/N	Parts Number	Part Name And Standard
1	101150001	Cylinder Head Assy
2	101150002	Screw M8×25
3	101150003	Gasket 8×14×1
4	101170024	Bolt M6×12
5	101150005	Gasket 6.2×13×1.5
6	101170002	Double-Ended Bolt Stud
7	101150007	Clip Of Inlet Pipe32-50
8	101150008	Pin 14×16
9	101150009	Bolt M10×223
10	101150010	Bolt M10×250
11	101150011	Washer 10×18×2
12	106170007	Screw M8×40
13	101150013	Left Cover Of Cylinder Head
14	101150014	O-Seal Ring 107×2.4
15	101151010	Screw M6×25
16	101150016	Valve Cover



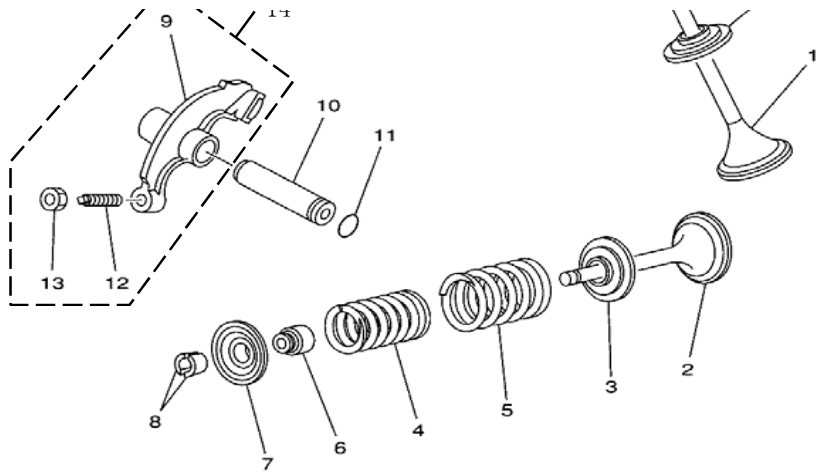
17	109170017	O-Ring 58×2.4
18	101170023	Screw M6×20
19	101150019	Plate Of Camshaft I
20	101150020	Bolt M6×16
21	101150021	Plate Of Camshaft Ii
22	101150022	Spark Plug(Ngk Dr8Ea)
23	101151023	Inlet Pipe
24	101150024	O-Ring 43.2×2

**FIG.102**

**02、 VALVE SWING ARM COMP&VALVE**



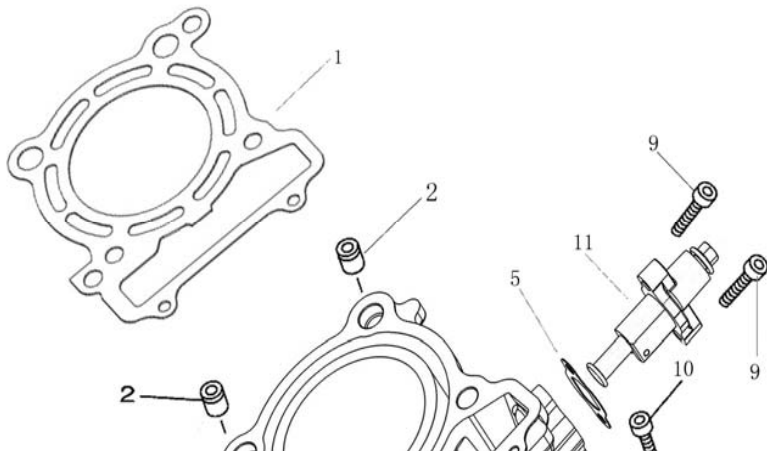
S/N	Parts Number	Part Name And Standard
1	102150001	Intake Valve
2	102150002	Exhaust Valve
3	102150003	Seat, Valve Spring
4	102150004	Spring, Inner Valve
5	102150005	Spring, Outer Valve
6	102150006	Oil Proof Cover
7	102150007	Retainer, Valve
8	102150008	Valve Clip
9	102150009	Valve Rocker



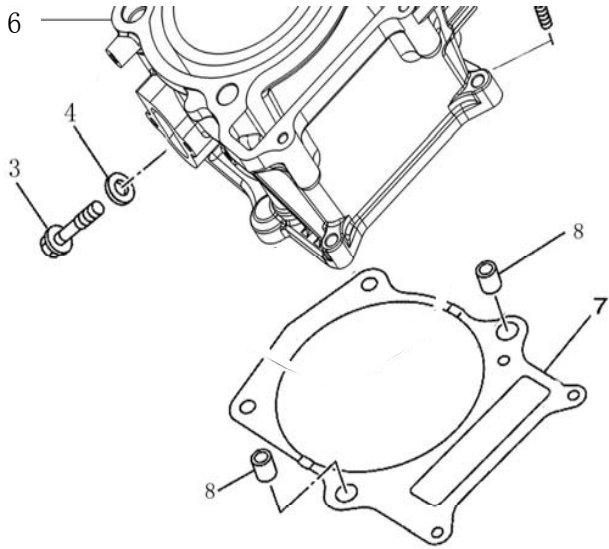
10	102150010	Rocker Shaft
11	102150011	O-Ring 9×2
12	102150012	Adjusting Screw ,Valve
13	102150013	Adjusting Nut ,Valve
14	102150014	Valve Rocker Assy

**FIG.103**

**03、CYLINDER**



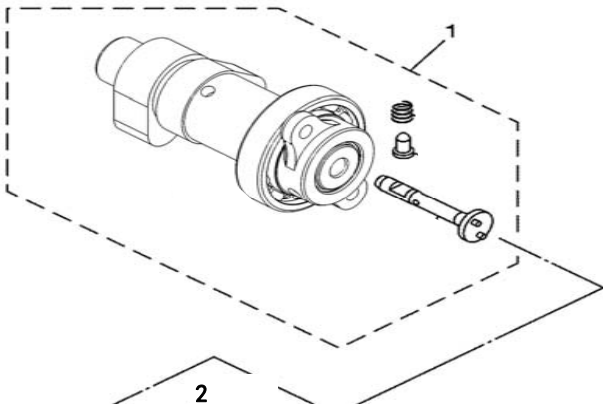
S/N	Parts Number	Part Name And Standard
1	103150001	Gasket, Cylinder Head
2	103150002	Pin 14×16
3	101170024	Flange Bolt M6×14
4	103150004	Washer 6×13×1.5
5	103150005	Gasket, Tensioner Case
6	103151006	Cylinder Body Assy
7	103150007	Gasket, Cylinder Body
8	103150002	Pin 14×16



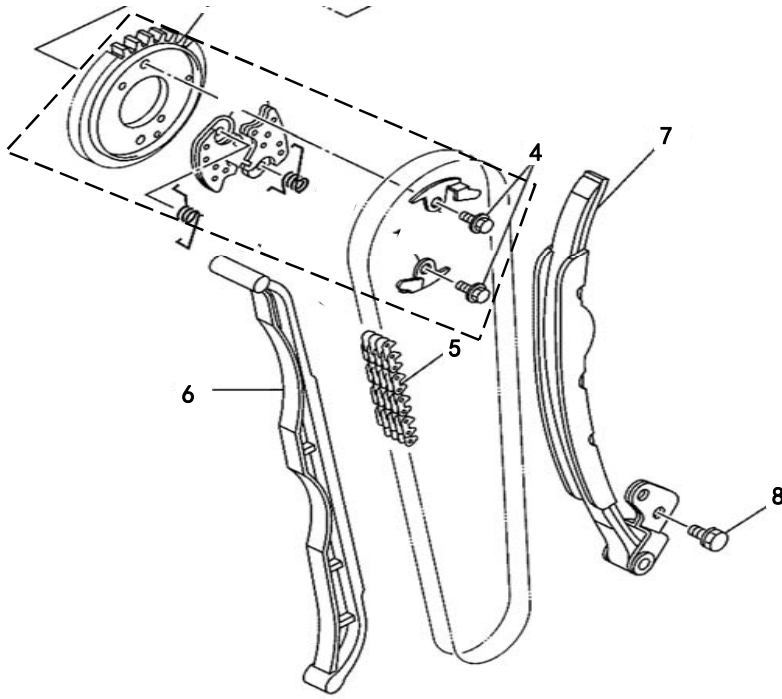
9	101170010	Bolt M6×25
10	222170027	Bolt M6×30
11	103150011	Tensioner Assy

**FIG.104**

**04、CAMSHAFT CHAIN**



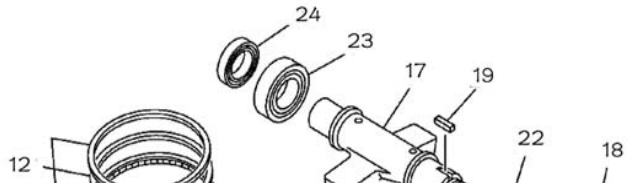
S/N	Parts Number	Part Name And Standard
1	104150001	Camshaft Assy
2	104150002	Timing Driven Sprocket Wheel Assy
3	104150003	Position Plate
4	104150004	Boltm7×11
5	104150005	Timing Chain
6	104150006	Guide Plate
7	104170004	Tensioner Plate Assy



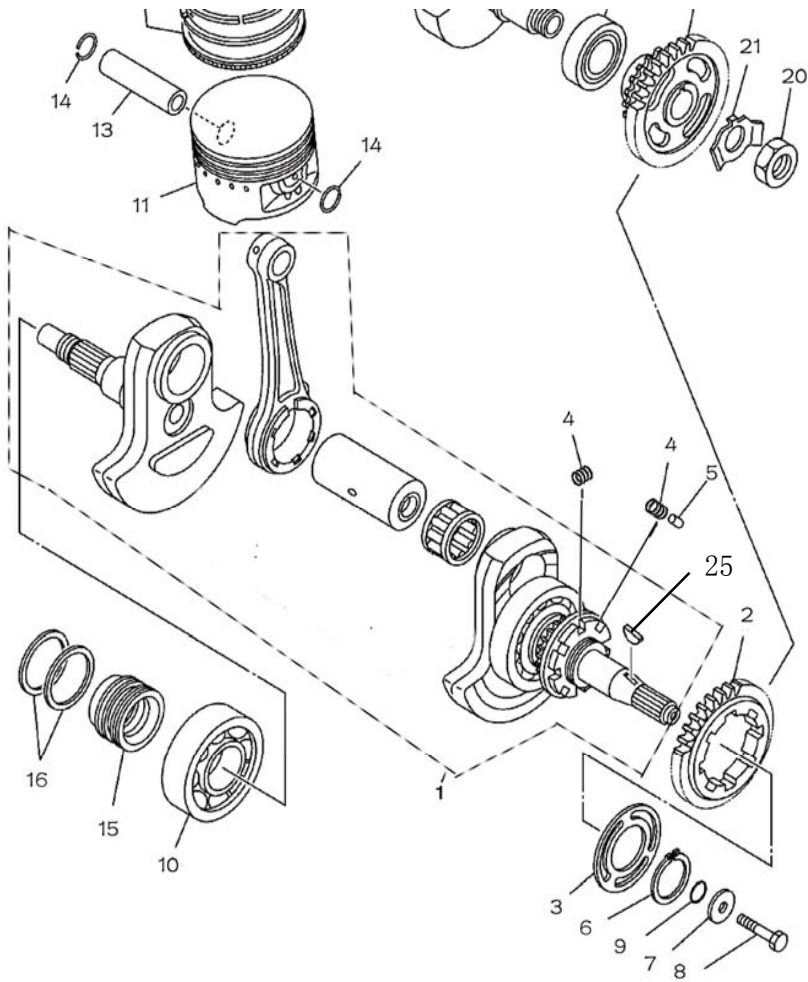
8	104170005	Bolt M6×16

**FIG.105**

**05. CRANKSHAFT PISTON**



S/N	Parts Number	Part Name And Standard
1	105150001	Crankshaft Lever Assy
2	105170002	Balance Drive Gear
3	105170003	Pisition Plate, Drive Gear

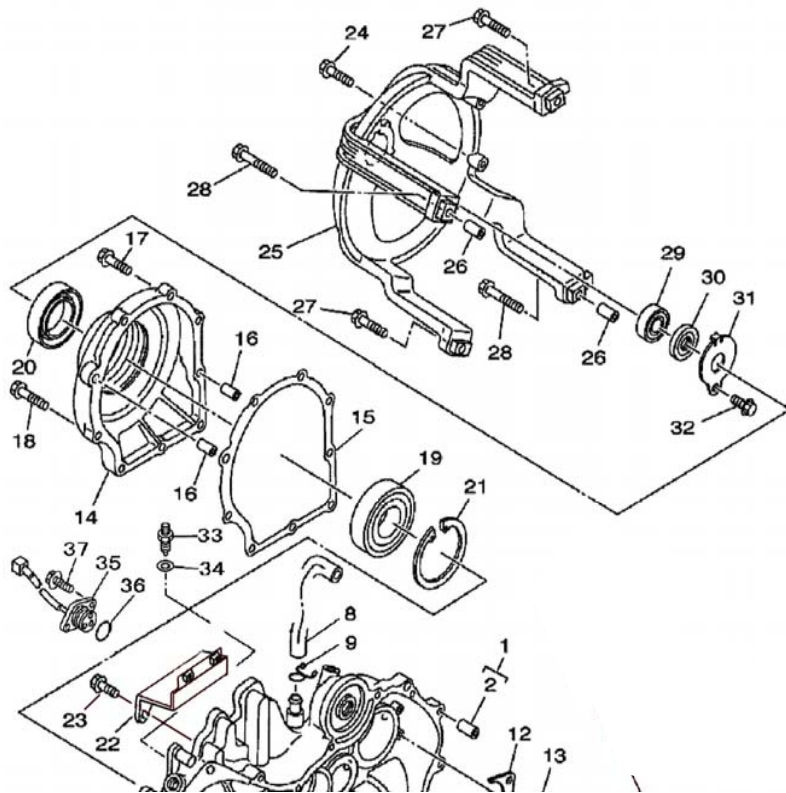


4	105170004	Cushion Spring
5	105170005	Pin 6×9.3
6	105170006	Circlip 35×1.5
7	105170007	Washer 10×30×3.2
8	105150008	Bolt M10×40
9	105170009	O-Ring 16.1×3.1
10	105170010	Bearing 6307
11	105150011	Piston
12	105150012	Piston Ring Set
13	105150013	Piston Pin
14	105150014	Piston Circlip
15	105170015	Seal Ring Set
16	105170016	Seal Ring
17	105150017	Balance Shaft Assy
18	105170018	Balance Driven Gear Assy
19	105151019	Key B5×12.4
20	105170020	Nut M18×1
21	105170021	Lock Washer
22	105170022	Bearing 6305
23	105170023	Bearing 6304
24	105170024	Oil Seal 20×30×7

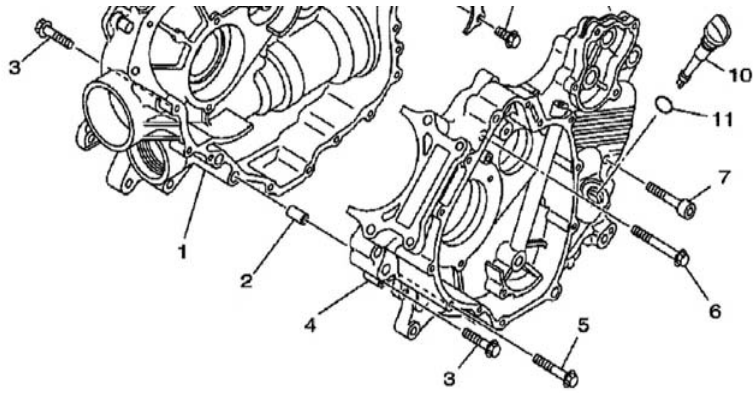
25	105170025	Semicircle Key

**FIG.106**

**06、 CRANKCASE**



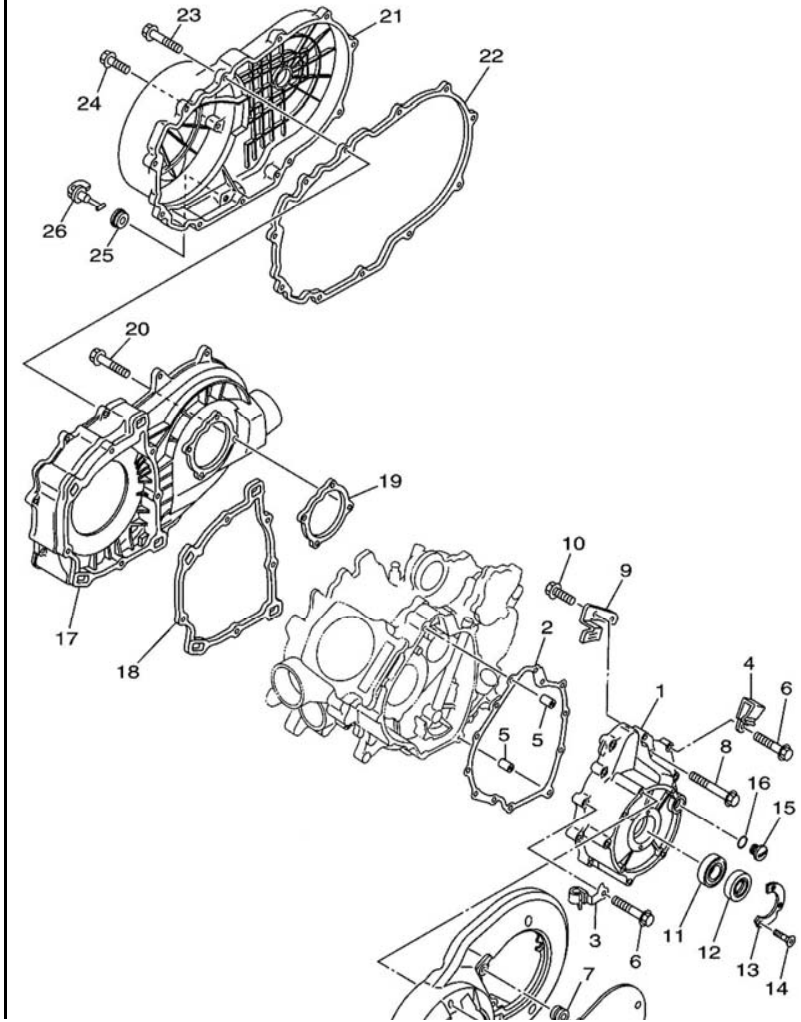
S/N	Parts Number	Part Name And Standard
1	106170001	Right Crankcase Assy
2	106170002	Pin 10×15.7
3	106151003	Flange Bolt M6×30
4	106170004	Left Crankcase Assy
5	106170005	Flange Bolt M6×40
6	106170006	Flange Bolt M6×55
7	106170007	Screw M8×40
8	106170008	Exhaust Pipe Of Engine
9	106170009	Exhaust Pipe Clip
10	106170010	Oil Guage
11	106170011	O-Ring 20×2.3
12	106170012	Bearing Plate
13	101170024	Flange Bolt M6×14
14	106170014	Bearing Housing
15	106170015	Gasket, Bearing Housing
16	106170016	Pin 10×16



17	106170003	Flange Bolt M6×30
18	106170005	Flange Bolt M6×40
19	106170019	Bearing 16010
20	106170020	Oil Seal 35×65×9
21	106170021	Circlip 80
22	106170022	Exhaust Pipe Bracket
23	106170023	Flange Bolt M6×16
24	106170024	Flange Bolt M6×16
25	106170025	Clutch Protector Bracket
26	106170016	Pin 10×16
27	106170027	Flange Bolt M6×30
28	106170028	Flange Bolt M6×40
29	106170029	Bearing 6201Z
30	106170030	Oil Seal 12×32×6
31	106170031	Oil Seal Plate
32	201170009	Flange Bolt M6×12
33	106170033	Gearshift Switch
34	106170034	Gasket 10×16×1
35	106170035	Gearshift Indicator
36	106170036	O-Seal Ring 29.6×2.4
37	104170005	Gasket M6×16

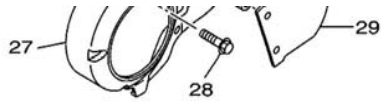


**FIG.107**



**07、 CRANKCASE COVER 1**

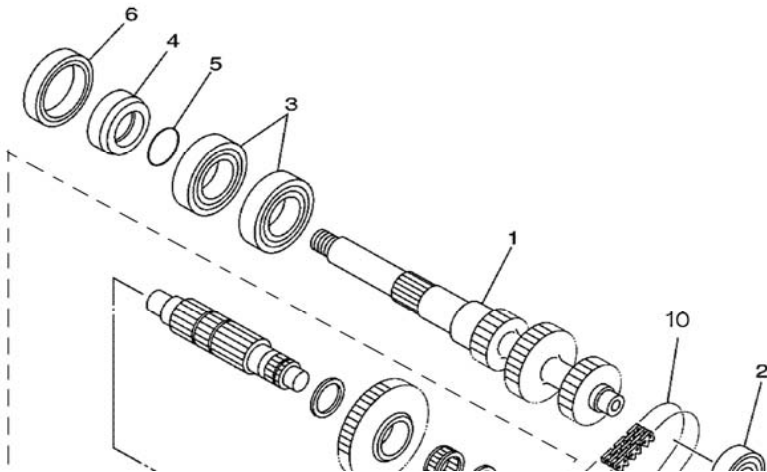
S/N	Parts Number	Part Name And Standard
1	107170001	Left Front Cover
2	107170002	Gasket,Left Front Cover
3	107170003	Clamp I
4	107170004	Clip I
5	106170002	Pin 10×15.7
6	106170003	Flange Bolt M6×30
7	107150007	Rubber Bush Ii
8	106170005	Flange Bolt M6×40
9	107170008	Plate
10	101170024	Flange Bolt M6×14
11	107170010	Bearing 60/28
12	107170011	Oil Seal 28×52×8.2
13	107150013	Oil Seal Plate
14	107170013	Screw M5×16
15	107150015	Eyesight Cover
16	107150016	O-Ring 13.6×2.2
17	107170016	Clutch Housing Assy
18	107170017	Seal Right Of Clutch Housing I
19	107170018	Seal Right Of Clutch Housing Ii
20	106170027	Flange Bolt M6×30



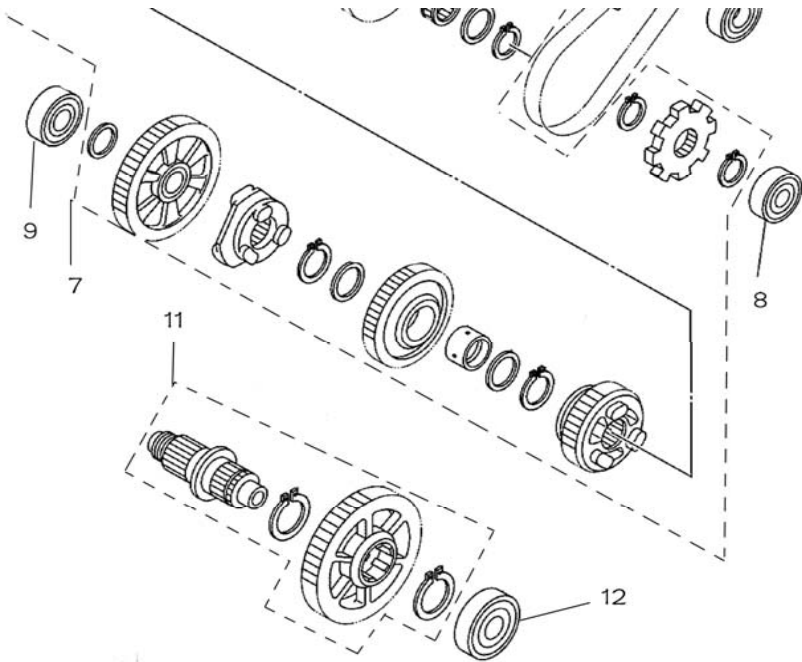
21	107170020	Clutch Housing Assy
22	107170021	Seal Ring,Clutch Housing
23	107150023	Flange Bolt M6×25
24	106170023	Flange Bolt M6×16
25	107150025	Rubber Bush I
26	107150026	Plug Of Clutch Cover
27	107151027	Decorative Cover
28	106170024	Bolt M6×20
29	107151029	Oil Gauge Cover

**FIG.108**

**08、 TRANSMISSION**



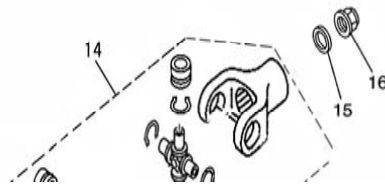
S/N	Parts Number	Part Name And Standard
1	108170001	Principal Axis
2	108170002	Bearing 6203
3	108170003	Bearing 6006C3
4	108170004	Bush 26×42×14.7
5	108170005	O-Ring 26.1×2.4
6	108170006	Oil Seal 42×55×8
7	108170007	Middle Axis Assy
8	108170008	Bearing 6202



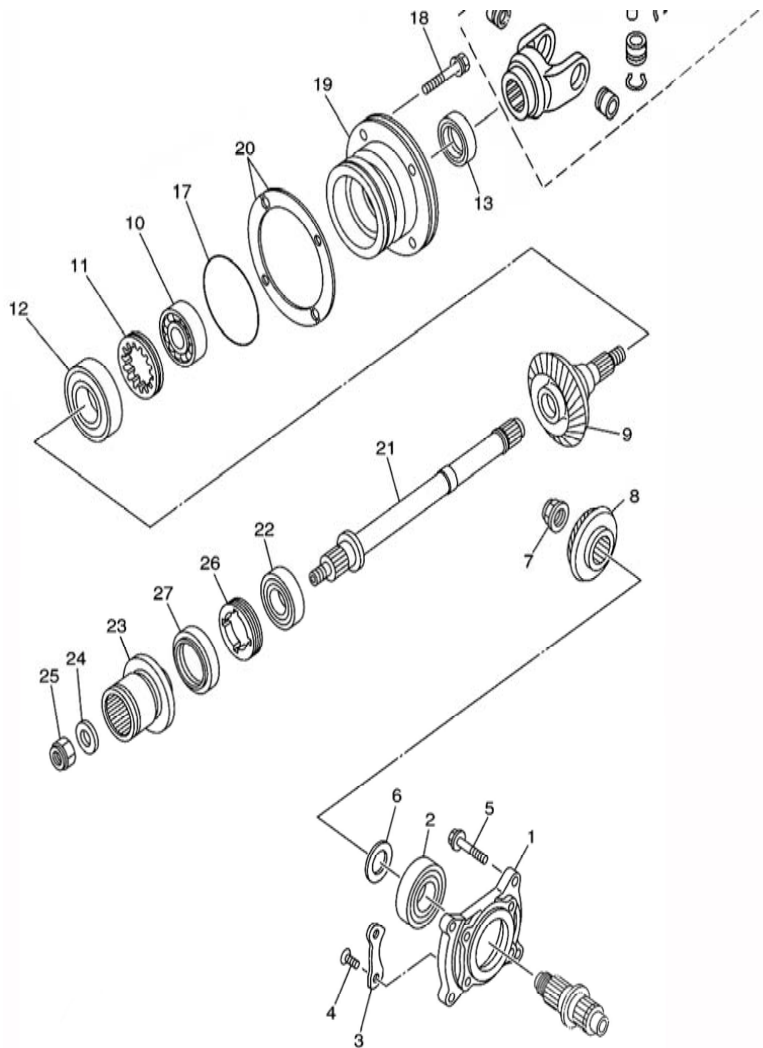
9	108170009	Bearing 6203Dla8
10	108170010	Chain
11	108170011	X-Output Shaft
12	108170012	Bearing 6303

FIG.109

**09. MIDDLE DRIVE GEAR**



S/N	Parts Number	Part Name And Standard
1	109170001	Bearing Housing, X-Output Shaft
2	105170022	Bearing 6305
3	109170003	Bearing Plate
4	109170004	Screw M8×24

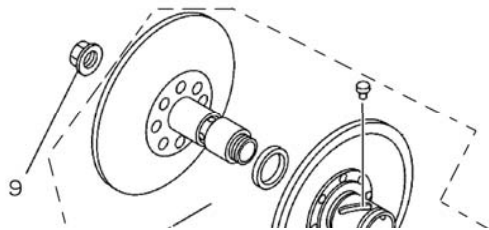


5	109170005	Flange Bolt M8×30
6	109151006	Gasket 26×38×0.1
6	109151006	Gasket 26×38×0.15
6	109151006	Gasket 26×38×0.2
6	109151006	Gasket 26×38×0.4
6	109151006	Gasket 26×38×0.5
6	109151006	Gasket 26×38×0.3
7	109170007	Nut M22
8	109170008	Drive Gear
9	109151009	Driven Gear
10	109170012	Bearing 63/22
11	109170011	Lock Ring M60
12	109170010	Bearing 6207
13	109170013	Oil Seal 35×52×8
14	109151014	Gimbal Assy
15	109170015	Washer 16.5×28×4
16	109170016	Self-Lock Nut M16
17	103170006	O-Ring88×2.8
18	109170018	Bolt M8×30
19	109151019	Bearing Housing, Y-Output Shaft
20	109151020	Adjusting Washer 0.1

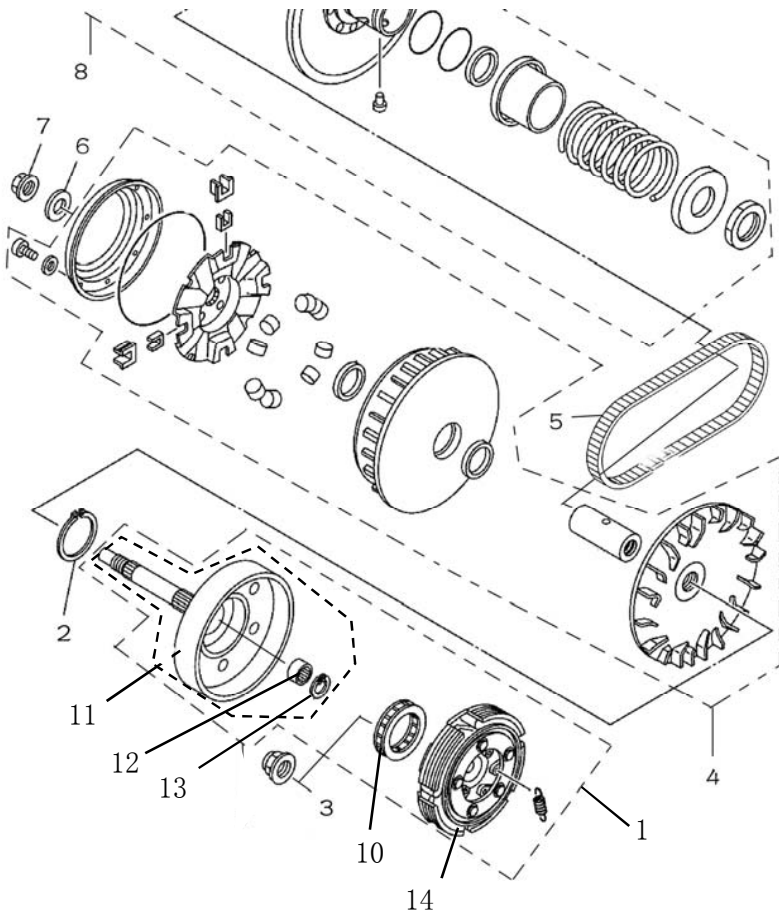
20	109151020	Adjusting Washer 0.15
20	109151020	Adjusting Washer 0.2
20	109151020	Adjusting Washer 0.3
20	109151020	Adjusting Washer 0.4
20	109151020	Adjusting Washer 0.5
20	109151020	Adjusting Washer 0.6
21	109151021	Y-Output Shaft
22	109170022	Bearing 6205
23	109151023	Front Drive Shaft
24	109151024	Washer 14.5×32×4
25	109170025	Self-Locking Nut M14
26	109170026	Lock Ring M55
27	109170027	Oil Seal 44×60×7

**FIG.110**

**10、CLUTCH**



S/N	Parts Number	Part Name And Standard
1	110170001	Primary Clutch
2	110170002	Cirelip
3	109170007	Nut M22
4	110170004	Cvt Primary Clutch

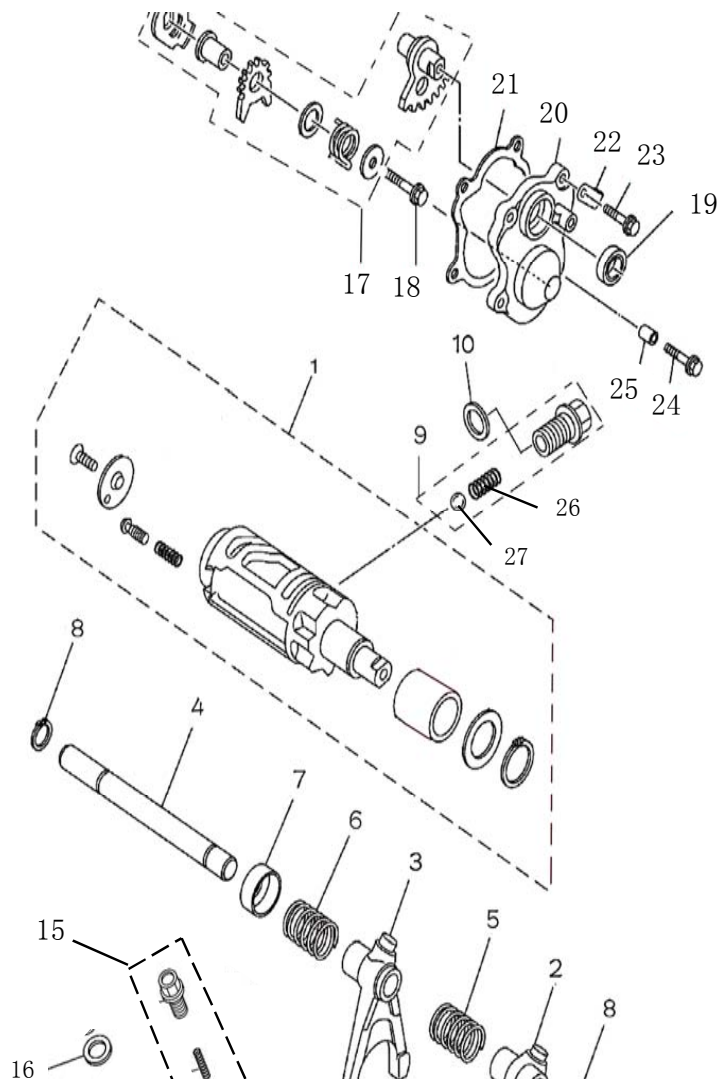


**FIG.111**

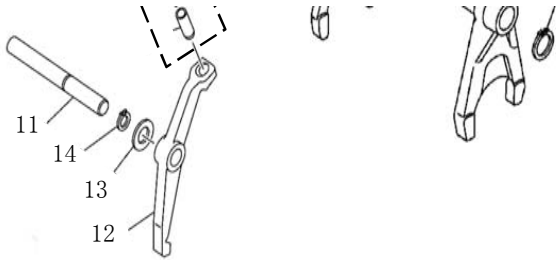
5	110151005	Belt
6	110170006	Gasket 19.2×35×3.2
7	110170007	Nut M16
8	110170008	Cvt Secondary Clutch
9	110170007	Nut M16×1
10	110170010	Clutch One Way Bearing
11	110170011	Clutch Cover Assy
12	110170012	Bearing Hk1812
13	110170013	Circlip
14	110170014	Clutch Block

**11、SHIFT CAM FORK**

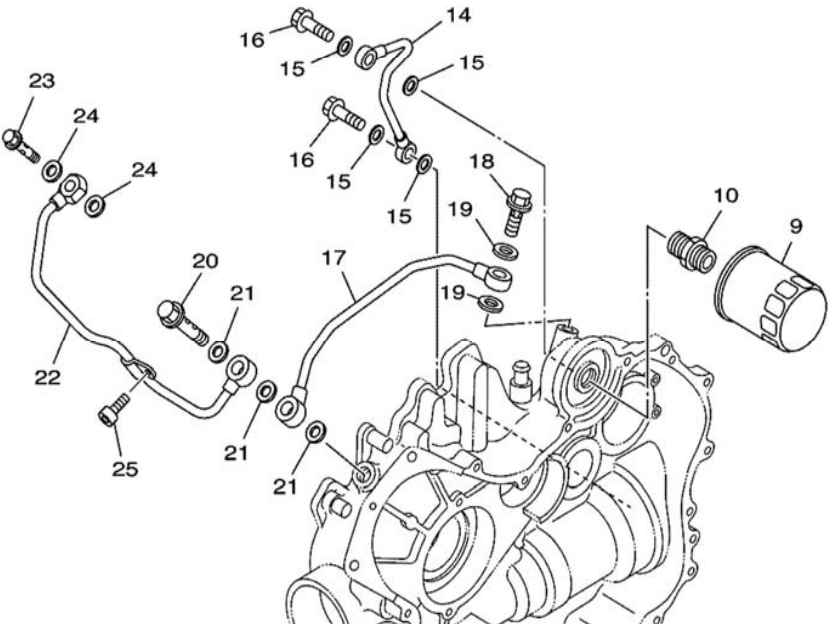
S/N	Parts Number	Part Name And Standard
-----	--------------	------------------------



1	111170001	Gearshift Drum Assy
2	111170002	R-Gear Fork
3	111170003	HI-Gear Fork
4	111170004	Fork Shaft
5	111170005	R-Gear Spring
6	111170006	HI-Gear Spring
7	111170007	Spring Housing
8	111170008	Circlip 12
9	111170009	Position Bolt
10	111170010	Gasket 14×22×1
11	111171011	Parking Shaft Axle
12	111171012	Parking Shaft
13	111171013	Washer 12.3×20×1
14	111170008	Circlip 12
15	111171015	Parking Bolt
16	106170039	Washer14×20×1.5
17	111170011	Shift Gear Assy
18	111170012	Bolt M6×35
19	111170013	15×25×5
20	111170014	Side Cover, Gearshift Arm
21	111170015	Side Cover, Gearshift



**FIG.112**

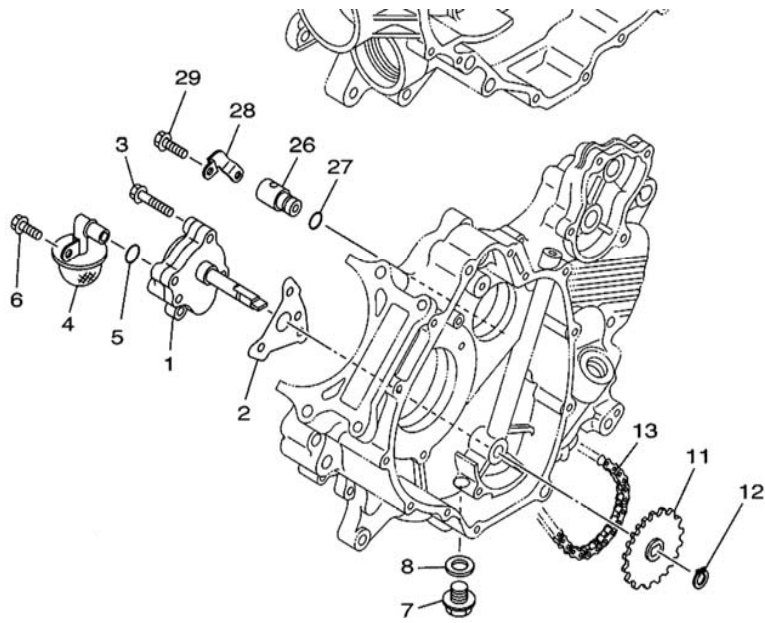


22	111170016	Line Cilp II
23	106170024	Bolt M6×20
24	106170003	Bolt M6×30
25	111151025	Locating Pin8×11.7
26	111170020	Position Bolt Spring
27	111170021	Position Bolt Steel Boll

**12、 OIL PUMP**

S/N	Parts Number	Part Name And Standard
1	112170001	Oil Pump Assy
2	112170002	Paper Pad, Pump Cover
3	106170005	Bolt, M6×40
4	112170004	Oil Filter Net
5	112170005	O-Ring 14×2.3
6	101170024	Flange Bolt M6×14
7	112170007	Oil Release Plug
8	112170008	Gasket
9	112170009	Oil Filter Assy
10	112170010	Oil Filter Connector
11	112170011	Driven Sproket Wheel,Oil Pump
12	112170012	Circlip 11



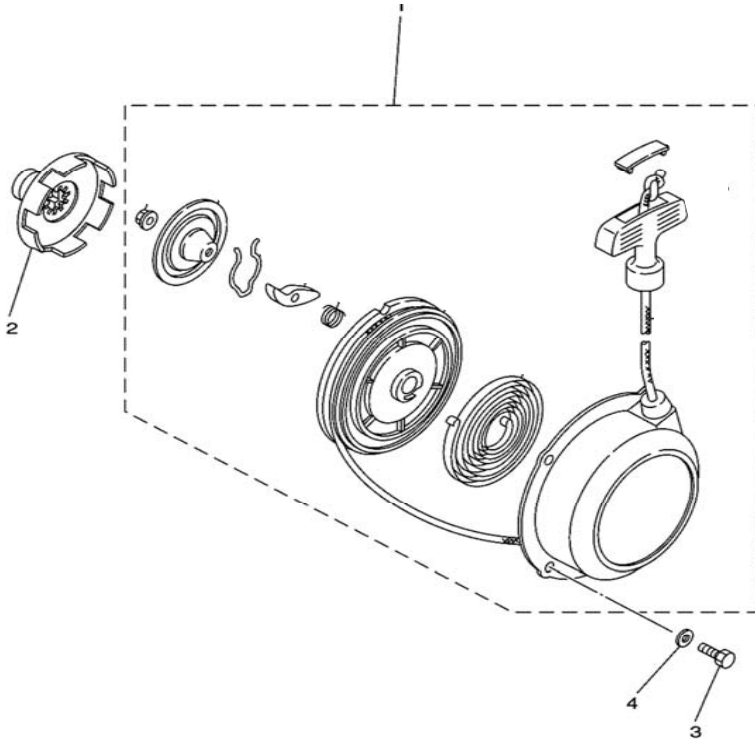


13	112170013	Oil Pump Chain
14	112170014	Oil Pipe I
15	112170008	Gasket B8
16	112170016	Bolt I M8×20
17	112170017	Oil Pipe Ii
18	112170018	Bolt II M14×28.5
19	106170039	Gasket 14×20×1.5
20	112170020	Bolt IV M14×50
21	106170039	Gasket 14×20×1.5
22	112170022	Oil Pipe Iii
23	112170023	Bolt III M10×21
24	112170024	Gasket 10×16.2×1.2
25	112170025	Screw M6×12
26	112170026	One-Way Valve Assy
27	112170027	O-Ring 10×2.45
28	112170028	Plate
29	201170009	Bolt M6×12

**FIG.113**

**13、 PULL START**

S/N	Parts Number	Part Name And Standard
-----	--------------	------------------------



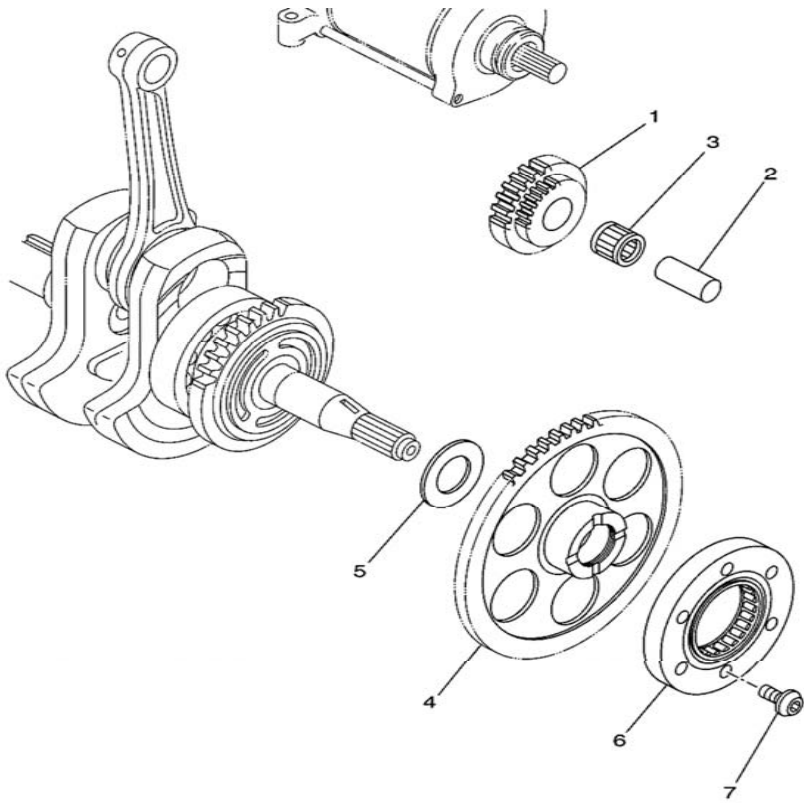
1	113171001	Pull Starter Assy
2	113171002	Driven Wheel Assy
3	113171003	Bolt M6×14
4	113171004	Washer B6

FIG.114

#### 14、STARTER CLUTCH



S/N	Parts Number	Part Name And Standard
1	113170001	Double Linkage Gear
2	113170002	Double Linkage Gear Shaft



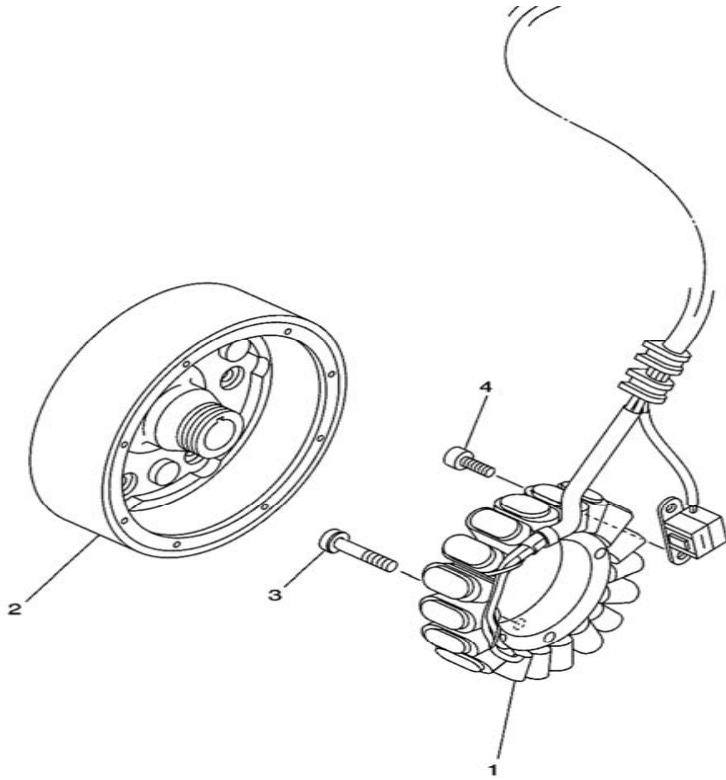
3	113170003	Bearing Kbk121618
4	113170004	Gear
5	113170005	Washer 25×39×1
6	113170006	One-Way Assy
7	113170007	Screw M8×16
8	113170008	Start Motor Assy

**FIG.115**

**15、 GENERATOR**



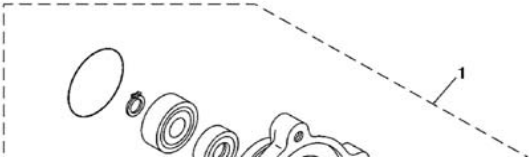
S/N	Parts Number	Part Name And Standard
1	114170001	Stator Assy,Magneto



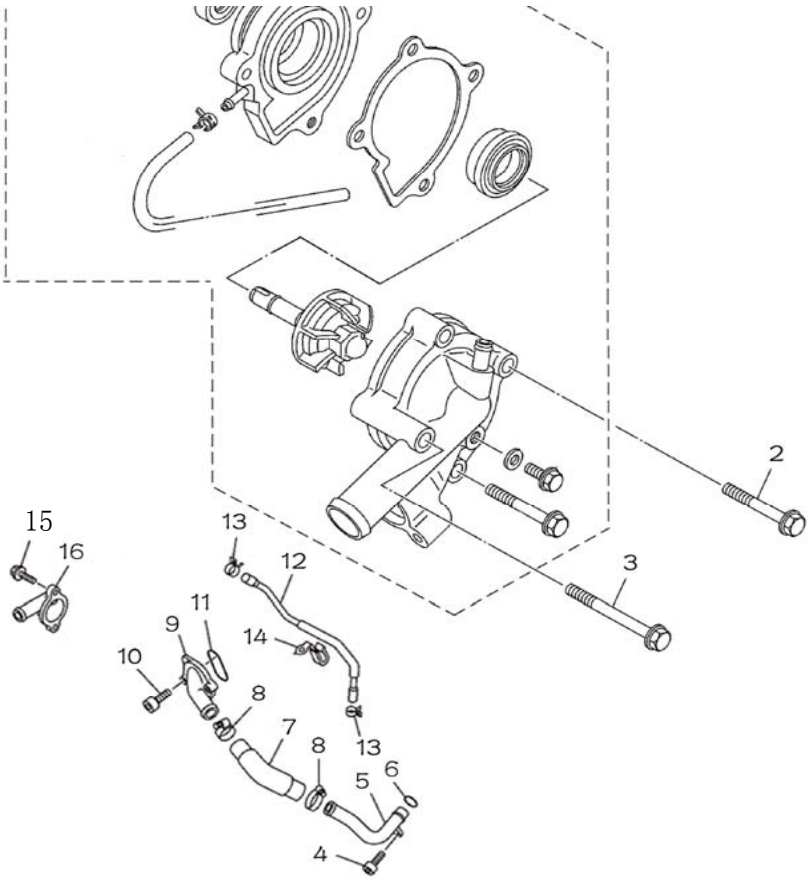
2	114170002	Rotor Assy, Magneto
3	114170003	Bolt M6×30
4	114170004	Screw M5×12

**FIG.116**

**16、 WATER PUMP**



S/N	Parts Number	Part Name And Standard
1	115170001	Water Pump Assy
2	115170002	Flange Bolt M6×45



3	115170003	Flange Bolt M6×65
4	115170004	Screw M6×10
5	115170005	Water Pipe Ii
6	115170006	O-Seal Ring 20.7×2.6
7	115170007	Water Pipe Iii
8	115170008	Water Pipe Clip
9	115170009	Inlet Connector Of Cylinder
10	101170023	Screw M6×20
11	115170011	O-Seal Ring 33.4×2.4
12	115170012	Water Pipe I
13	115170013	Clip Iiφ11
14	115170014	Pipe Clip Ii
15	106170024	Bolt M6×20
16	115170016	Thermostat Cover

**FIG.117**

**17、 CARBURETOR**

S/N	Parts Number	Part Name And Standard
-----	--------------	------------------------

